

Lifting accessory in accordance with EUROPEAN DIRECTIVES
N° 89/392 - 91/368 - 93/68
and with EUROPEAN STANDARDS EN 292 -
EN 55 022 - EN 50 082.2.

General specification:

Liquid cristal display(LCD): 4 digits
Height of digits : 14 mm
Unit of measurement : daN / kg / lbs

Capacities daN	20	50	100	200
Accuracy daN	±0,15	±0,4	±0,8	±1,6
Smallest load daN	0,05	0,1	0,2	0,4
Overload coefficient	2	2	1,4	1,4
Coefficient Safety	>10	>10	>10	>10

Ambient temperature range : 0°C à 40°C
Body in aluminium alloy for 20/50/100 daN models
Body in stainless steel 316 L for 200 daN model
Outer casing : ABS-PC
IP 40 protection
Overall dimensions :
140 x 80 x 40 mm for 20/50/100 daN models
147 x 80 x 40 mm for 200 daN model
Anchor points :10 mm diameter
Lost height :
without hook : 125/130 mm
with hook : 305 mm for 20/50/100 daN models
with hook : 310 mm for 200 daN model
with handful and hook : 275 mm for 200 daN model
Weight : 220 g with batteries for 20/50/100 daN
340 g with batteries for 200 daN
Power supply : 2 x1,5 V -AA/R6 type
Batterie life : 100 hours, with high quality batteries

Push button controls :

On /Off (push button T1)
100 % tare (push button T2)
Peak hold (push button T3)

Automatic functions :

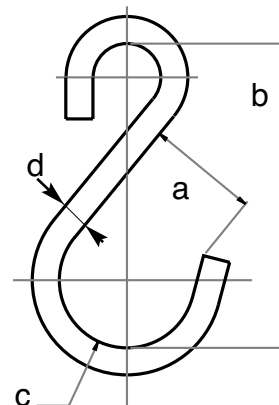
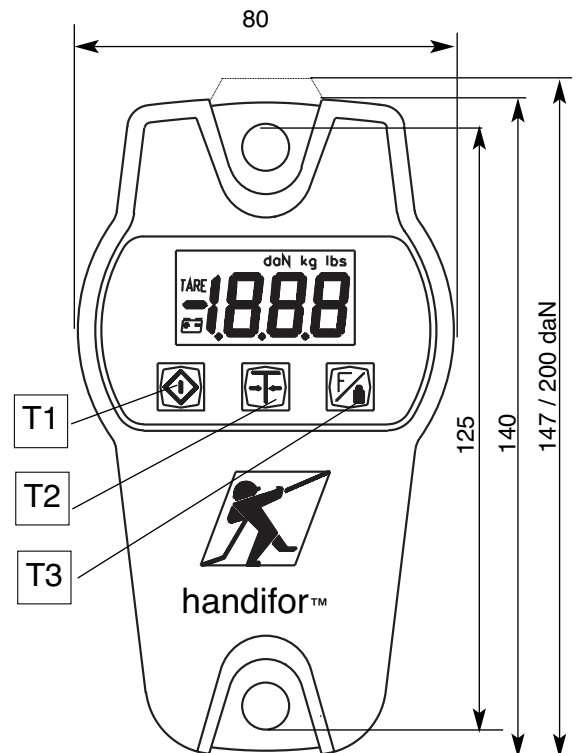
Automatic zero (if the load applied is less than 10% of the unit capacity)
Low battery indicator
Overload indicator

Adjustable functions :

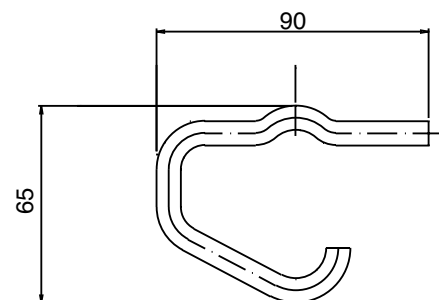
Weight unit : daN / kg / lbs

Standards supply :

Handifor™ unit
Operating and maintenance instructions,
2 batteries : 1,5 V, AA/R6 type.
Pouch
2 «S»hooks or
1 hook and 1 handful for capacity 20 kg
CE declaration of confirmity
Packing box : 240 x 155 x 80 mm



	20/50/ 100	200
a	33	33
b	90	90
c	40	40
d	8	11



Option :
Calibration certificate