

PL SERIES LEVALIFT

Five Capacities From 750kg - 6000kg

A popular and proven design to BS EN 13157*, the versatile Morris PL Levalift is designed to perform a wide variety of lifting, pulling, tensioning and securing applications. This product incorporates the latest advances in design to provide maximum safety and strength combined with maximum operating effort.

For rapid hook positioning, the grade 100 loadchain can either be 'pulled through' or 'wound through' by means of a hand wheel.

The automatic brake function, which fully meets the relevant European Standards, ensures that any load of 20kg or more will cause the brake to be applied irrespective of the position of the motion selector.

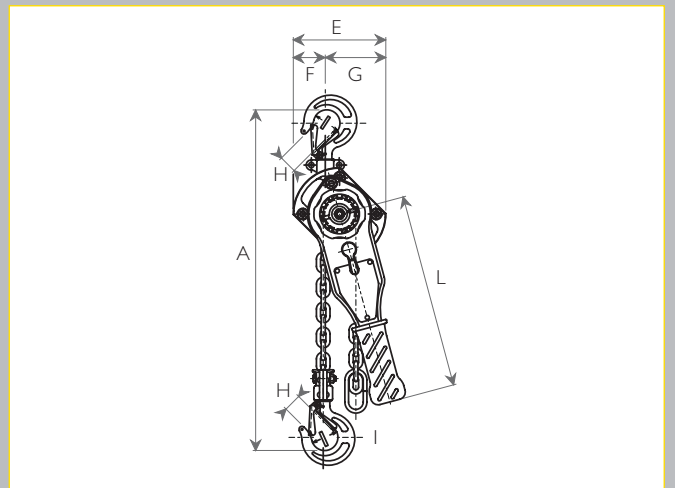
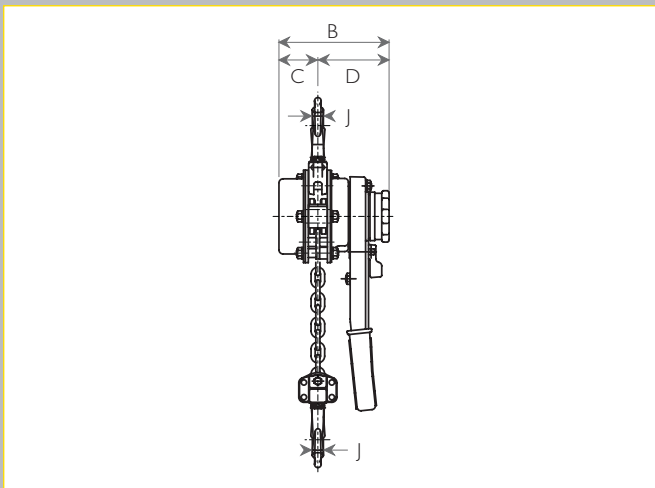
The hoist is lightweight and compact with a robust steel construction. It requires low operating effort.

*Grade 100 loadchain is used



Capacity kg	Number Of Falls	Dimensions (mm)												Performance			
		A Min	A Max	B	C	D	E	F	G	H	I	J	L	Lift (Std Chain) (m)*	Effort To Raise Full SWL kg	Weight kg (Std Chain)	Safety Factor
750	1	275	1500	150	53	97	126	41	85	25	36	18	265	1.5	22	6	4:1
1000	1	298	1500	150	53	97	126	41	85	28	44	20	265	1.5	29	6.5	4:1
1500	1	345	1500	163	63	100	148	47	101	32	48	25	405	1.5	32	9	4:1
3000	1	420	1500	190	82	108	189	59	130	39	52	28	405	1.5	38	16	4:1
6000	2	570	1500	190	82	108	247	72	175	51	68	36	405	1.5	39	27	4:1

* Any height of lift is available on request



- Capacities from 750kg - 6000kg
- Automatic brake
- Low operating effort

- Robust steel construction
- Lightweight and compact
- Grade 100 loadchain